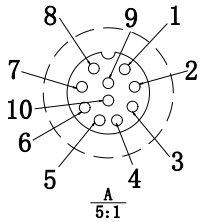
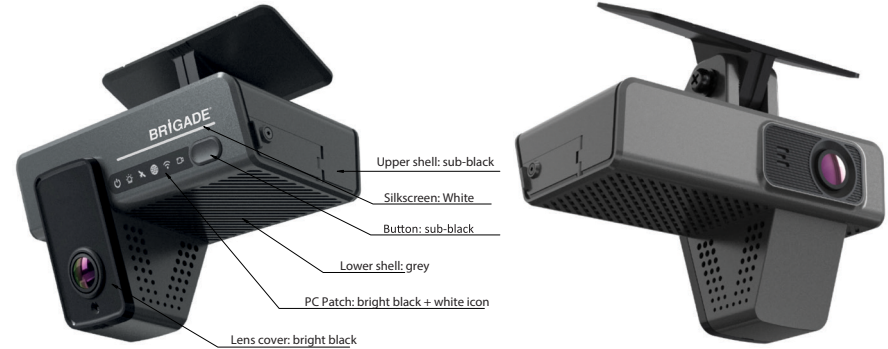
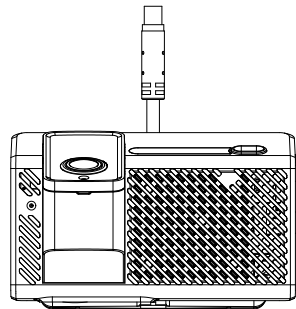
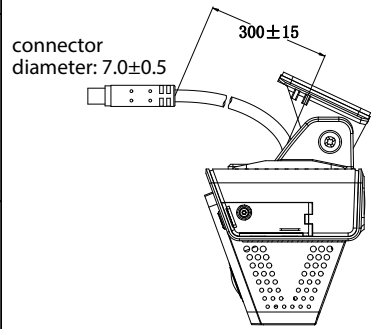
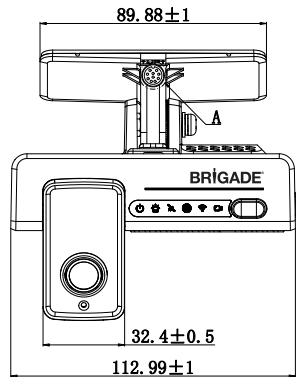


Revision Notes.

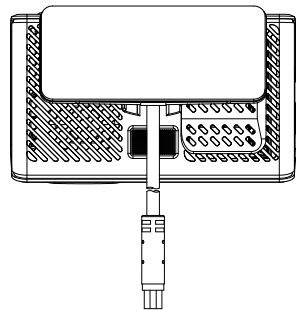
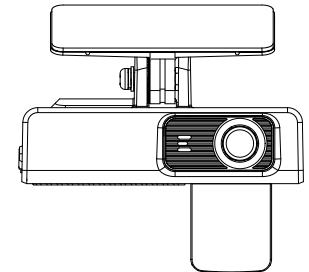
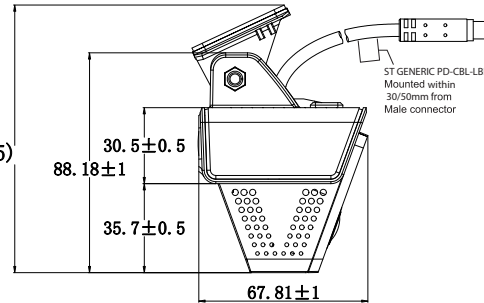
APA: Drawn: Checked: Approved: Date:



- 10. DC+ Red+Red
- 9. Red+Red Black
- 8. TX White
- 7. RX Brown
- 6. SIN 1 Purple
- 5. SIN 2 Blue
- 4. 3.3V Grey
- 3. CANH Green
- 2. CANL Yellow
- 1. ACC Orange



(107.35)



NOTES:

PROPRIETARY NOTICE  
THIS DESIGN AND TECHNICAL INFORMATION APPEARING ON THIS DRAWING IS THE PROPERTY OF BRIGADE ELECTRONICS, AND IS DISCLOSED IN CONFIDENCE. IT IS NOT TO BE COPIED, REPRODUCED, REVEALED TO OR EXPROPRIATED BY OTHERS, EITHER IN WHOLE OR IN PART WITHOUT THE EXPRESS WRITTEN CONSENT OF BRIGADE ELECTRONICS.

**BRIGADE**®

Sheet No  
1 of 2

Assembly PI Approval P.Bu	Approved by S.Davis	Checked by	Drawn by R.TIMMS
<p>Angle of Projection Third Angle</p>	Units mm	Scale N/A	Released 23.5.23
	Status Released	DC-204-AI(XXXXX)-C	
	Part No 7477/7487	BE-004805-00-23	
Assembly Ref		-	

Revision Notes.				
APA:	Drawn:	Checked:	Approved:	Date:

Part Number	Model Number	Firmware Version	Configuration Version	Date
7477	DC-204-AI(UK/EU)	DC204AI_E04.526_V3.5.6.2_RC23061570	UK Config - 20230707	20/06/2023
7487	DC-204-AI(NA)	DC204AI_E04.526_V3.5.6.2_RC23061570	US Config - 20230710	11/07/2023

**NOTES:**  
 Supplier drawing in Brigade Frame.  
 ST GENERIC PD-CBL-LBL to be mounted 300/500mm from Male connection

**PROPRIETARY NOTICE**  
 THIS DESIGN AND TECHNICAL INFORMATION APPEARING ON THIS DRAWING IS THE PROPERTY OF BRIGADE ELECTRONICS, AND IS DISCLOSED IN CONFIDENCE. IT IS NOT TO BE COPIED, REPRODUCED, REVEALED TO OR EXPROPRIATED BY OTHERS, EITHER IN WHOLE OR IN PART WITHOUT THE EXPRESS WRITTEN CONSENT OF BRIGADE ELECTRONICS.

Sheet No  
2 of 2



Assembly PI Approval P.Bu	Approved by S.Davis	Checked by	Drawn by R.TIMMS
<p>Angle of Projection</p> <p>Third Angle</p>	Units mm	Scale N/A	Released 23.5.23
	Status Released	DC-204-AI(XXXXX)-C	
	Part No 7477/7487	BE-004805-00-23	